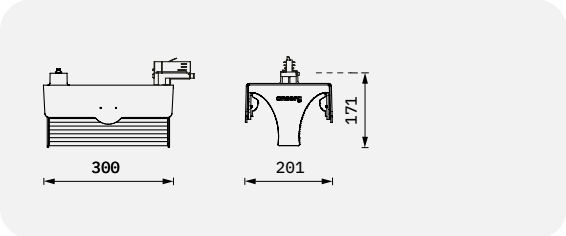


Navo NSK DDF



- Lighting technology LED
 - Spotlight as two-directional washer
 - Tool-less mounting with track adapter for three-circuit track
 - Floor and wall mounting not permitted
 - With integral reflector DDF-NB or DDF-NX
 - Interchangeable reflectors
 - Supply unit included
 - Version with DALI on request
- Colours: white, anthracite, silver on request



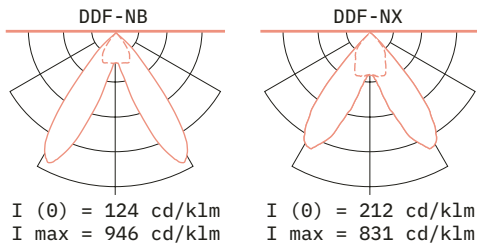
- 100% recyclable
 - Designed in accordance with the Ecodesign Directive (2019/2020/EU)
 - Long LED life due to efficient thermal management
-

Photometric data

CRI Colour quality	Power level			
	52 W		68 W	
	Luminous flux luminaire [lm]	System efficiency [lm/W]	Luminous flux luminaire [lm]	System efficiency [lm/W]
830	7684	146	9562	140
840	8090	154	10068	147
927	6260	119	7791	114
930	6613	126	8230	120

Maximum possible, optionally available connected load: 68 W.
According to IEC 62722-1 the given rated values of the total luminous flux and of the electric power must not deviate by more than 10%. The photometric values are

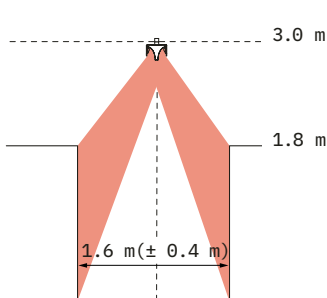
standard values and refer to the entire luminaire. Other light qualities on request to info@ansorg.com. This product contains two light sources of energy efficiency class D (830/840) or E(927/930).



Planing information

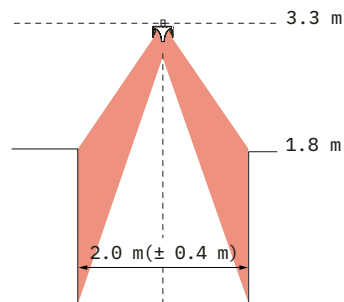
DDF-NB

Recommended mounting height



DDF-NX

Recommended mounting height



Technical data

Information	Values
Connection data	220-240 V, 50/60 Hz (110-277 V on request)
Weight	approx. 2.2 kg
Colour tolerance	3SDCM (MacAdam)
Lumen maintenance	L80/B10 ≥ 50,000h, Ta 25 °C L90/B50 ≥ 50,000h, Ta 25 °C
Failure rate	C0/B10 ≥ 50,000h, Ta 25 °C
Photobiological safety	RG1
Number per circuit breaker B 16A	12
Protection class	1
Type of protection	IP20
Certification mark	ENEC / CB

Optional accessories

Product
Set of interchangeable reflector (1 x reflector/1 x lamellae)/DDF-NB, DDF-NX
Set of end lamellae reflectors for lateral glare suppression (1 pair left/right)/DDF-NB, DDF-NX
Safety glas (1 pair)