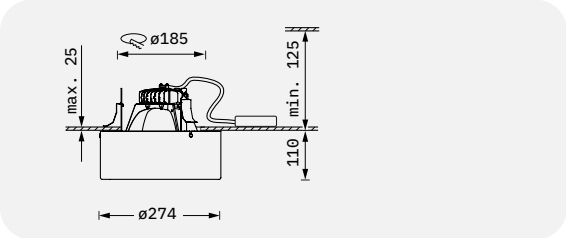



Glorea GLH



- Lighting technology LED
 - Tool-less ceiling mounting
 - Ceiling cut-out Ø185 mm
 - Floor and wall mounting not permitted
 - With integral reflector MSP (Multi Spot)
 - Supply unit included
 - Connection to power supply by Wieland plug GST18i3; wire length l = 0.5 m
 - Version with DALI on request
- Colours: white, anthracite



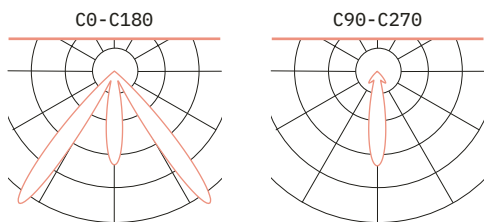
- 100% recyclable
 - Designed in accordance with the Ecodesign Directive (2019/2020/EU)
 - Long LED life due to efficient thermal management
- 

Photometric data

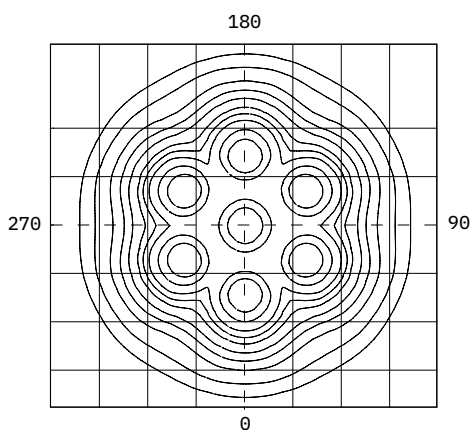
| CRI Colour quality | Power level 38.7 W | |
|--------------------------|------------------------------------|-----------------------------|
| | Luminous flux luminaire [lm] | System efficiency [lm/W] |
| 930 Brilliant HE | 5130 | 132.5 |
| 940 Brilliant HE | 5410 | 139.8 |

According to IEC 62722-1 the given rated values of the total luminous flux and of the electric power must not deviate by more than 10%. The photometric values are standard values and refer to the entire luminaire. Other light qualities on request to

info@ansorg.com. This product contains light sources of energy efficiency class D (930/940).



$I(\theta) = 1051 \text{ cd/klm}$
 $I_{\text{max}} = 1878 \text{ cd/klm}$



Technical data

| Information | Values |
|----------------------------------|--|
| Connection data | 220-240 V, 50/60 Hz (110-277 V on request) |
| Weight | approx. 2.3 kg |
| Colour tolerance | 3SDCM (MacAdam) |
| Lumen maintenance | L80/B10 \geq 50,000h, Ta 25 °C L90/B50 \geq 50,000h, Ta 25 °C |
| Failure rate | C0/B10 \geq 50,000h, Ta 25 °C |
| Photobiological safety | RG1 |
| Number per circuit breaker B 16A | 24 |
| Protection class | 1 |
| Type of protection | IP20 |
| Certification mark | ENEC / CB in preparation |