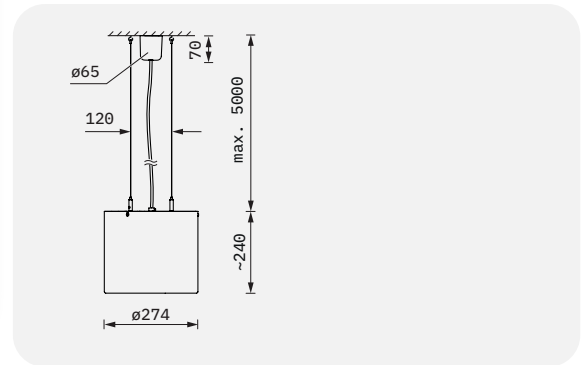


Glorea GLP



- Lighting technology LED
- Suspended luminaire with ceiling canopy
- Double wire suspension with eyelets for ceiling hooks and with quick-release hangers on the luminaire housing
- Textile suspension cable, black or white
- With integral reflector MSP (Multi Spot)
- Supply unit included
- Connection to mains by means of 3-pole terminal block
- Version with DALI on request

Colours: white, anthracite



- 100% recyclable
- Designed in accordance with the Ecodesign Directive*¹
- Long LED life due to efficient thermal management



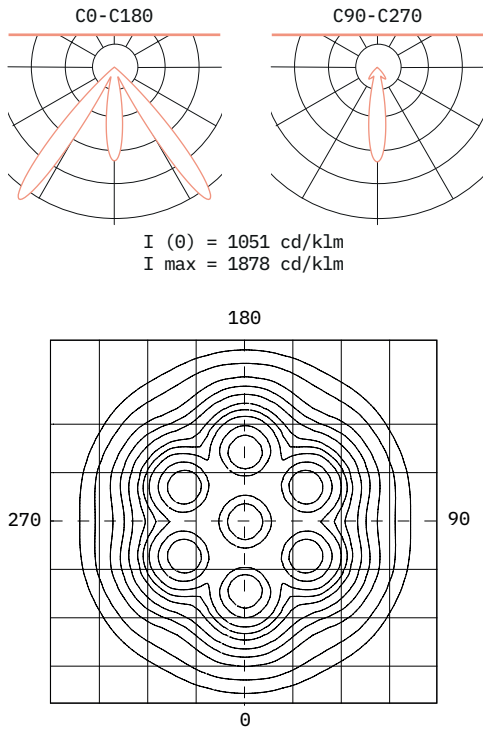
Photometric data

CRI Colour quality	Power level 38.7 W	
	Luminous flux [lm]	System efficiency [lm/W]
930 Brilliant HE	5130	132.5
940 Brilliant HE	5410	139.8

According to IEC 62722-1 the given rated values of the total luminous flux and of the electric power must not deviate by more than 10%. The photometric values are standard values and refer to the entire luminaire. Other light qualities on request to

info@ansorg.com. This product contains light sources of energy efficiency class D (930/940).

* 1 : Ecodesign Directive (2019/2020/EU)



Technical data

Information	Values
Connection data	220-240 V, 50/60 Hz (110-277 V on request)
Weight	approx. 3.5 kg
Colour tolerance	3SDCM (MacAdam)
Lumen maintenance	L80/B10 \geq 50,000h, Ta 25 °C L90/B50 \geq 50,000h, Ta 25 °C
Failure rate	C0/B10 \geq 50,000h, Ta 25 °C
Photobiological safety	RG1
Number per circuit breaker B 16A	24
Protection class	1
Type of protection	IP20
Certification mark	ENEC / CB in preparation