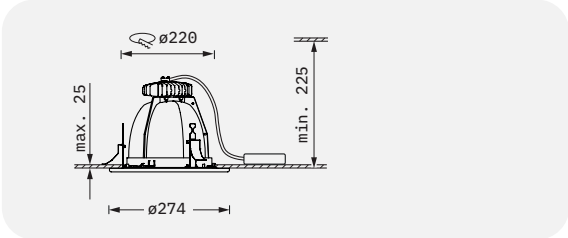



Glorea GLR



- Lighting technology LED
 - Tool-less ceiling mounting
 - Ceiling cut-out Ø220 mm
 - Floor and wall mounting not permitted
 - With integral reflector MSP (Multi Spot)
 - Supply unit included
 - Connection to power supply by Wieland plug GST18i3; wire length l = 0.5 m
 - Version with DALI on request
- Colours: white, anthracite



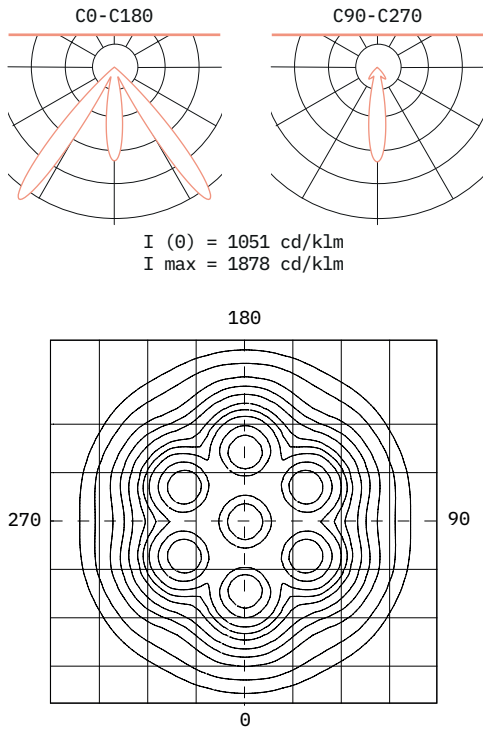
- 100% recyclable
 - Designed in accordance with the Ecodesign Directive (2019/2020/EU)
 - Long LED life due to efficient thermal management
- 

Photometric data

CRI Colour quality	Power level 38.7 W	
	Luminous flux [lm]	System efficiency [lm/W]
930 Brilliant HE	5130	132.5
940 Brilliant HE	5410	139.8

According to IEC 62722-1 the given rated values of the total luminous flux and of the electric power must not deviate by more than 10%. The photometric values are standard values and refer to the entire luminaire. Other light qualities on request to

info@ansorg.com. This product contains light sources of energy efficiency class D (930/940).



Technical data

Information	Values
Connection data	220-240 V, 50/60 Hz (110-277 V on request)
Weight	approx. 1.3 kg
Colour tolerance	3SDCM (MacAdam)
Lumen maintenance	L80/B10 \geq 50,000h, Ta 25 °C L90/B50 \geq 50,000h, Ta 25 °C
Failure rate	C0/B10 \geq 50,000h, Ta 25 °C
Photobiological safety	RG1
Number per circuit breaker B 16A	24
Protection class	1
Type of protection	IP20
Certification mark	ENEC / CB in preparation