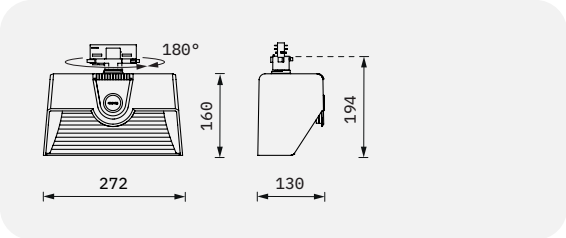



Navo NLT DF



- Lighting technology LED
 - Spotlight as directional washer
 - Tool-less mounting with track adapter for three-circuit track (Stucchi) or ceiling mounting
 - Floor and wall mounting not permitted
 - Turnable (180°)
 - With integral reflector DF-NB or DF-WW
 - The light distribution is adjustable in 5 steps (position 0 to 4)
 - Supply unit included
 - Version with DALI on request
- Colours: white, anthracite, silver on request



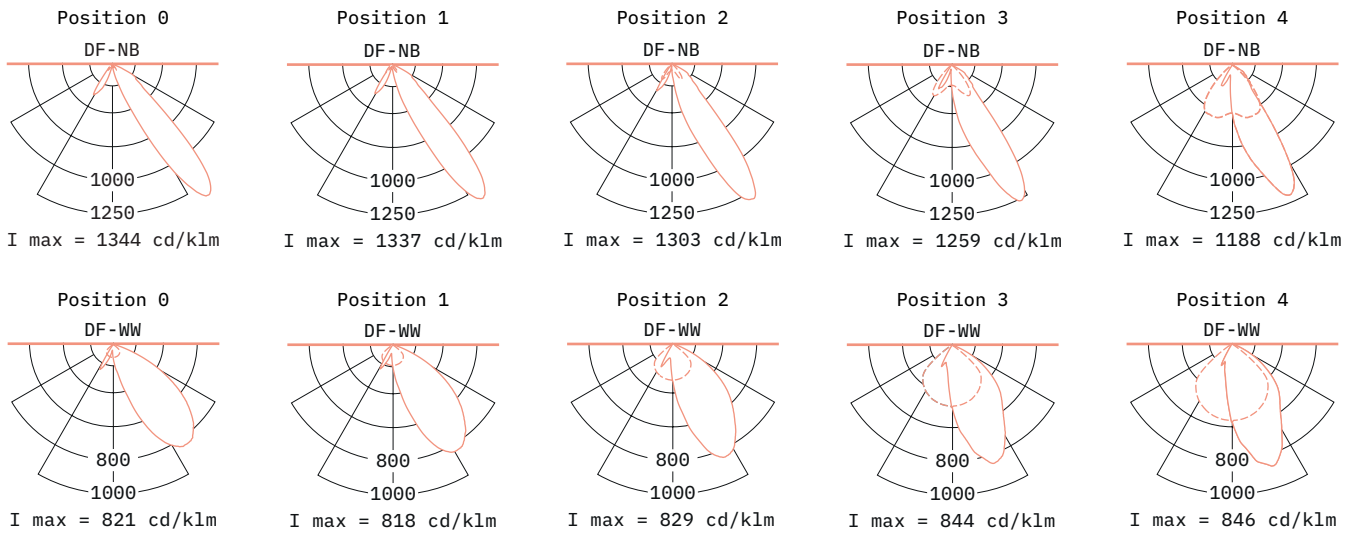
- 100% recyclable
 - Designed in accordance with the Ecodesign Directive (2019/2020/EU)
 - Manufactured with 100% recycled aluminium
 - Long LED life due to efficient thermal management
- 

Photometric data

CRI Colour quality	Power level				Reflector
	30 W		40 W		
	Luminous flux [lm]	System efficiency [lm/W]	Luminous flux [lm]	System efficiency [lm/W]	
830	4036	134	5088	127	DF-NB
	4411	146	5561	139	DF-WW
840	4249	141	5357	134	DF-NB
	4644	154	5855	146	DF-WW

According to IEC 62722-1 the given rated values of the total luminous flux and of the electric power must not deviate by more than 10%. The photometric values are standard values and refer to the entire luminaire. Other light qualities on request to

info@ansorg.com. This product contains light sources of energy efficiency class D (830/840).



Planing information

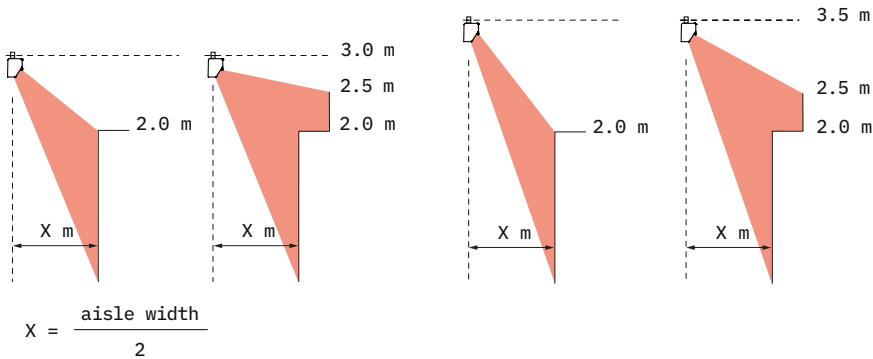
Recommended mounting height

Position 0
NB Reflector

Position 0
WW Reflector

Position 2
NB Reflector

Position 2
WW Reflector



Technical data

Information	Values
Connection data	220-240 V, 50/60 Hz (110-277 V on request)
Weight	approx. 2.0 kg
Colour tolerance	3SDCM (MacAdam)
Lumen maintenance	L80/B10 ≥ 50,000h, Ta 25 °C L90/B50 ≥ 50,000h, Ta 25 °C
Failure rate	C0/B10 ≥ 50,000h, Ta 25 °C
Photobiological safety	RG1
Number per circuit breaker	B16A = 24
Protection class	1
Type of protection	IP20
Certification mark	ENEC / CB

Optional accessories

Product
Filter for glare reduction
Dust cover (set for 25 luminaires)
Installation and aiming support (set of 3 pieces)